

design **PAOLA NAVONE**

2011

BL42L Boll 42

Countertop basin 42 cm

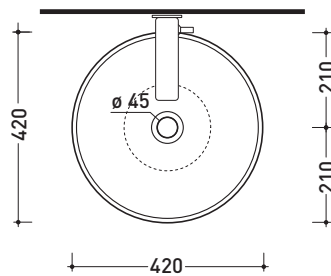
•WITHOUT OVERFLOW •WITHOUT TAP LEDGE

Complements: **Forty6 shelf (F6BL)**
Solid shelf (SLBL)
Make-Up bench (MKP150 - MKP180)
Compono System bench (CSM90 - CSM135R/L - CSP135R/L - CSP180D)
Line taps basin: ONE - NOKE' - SI - FOLD
Line accessories: TWO - HOOP - NOKE' - FOLD

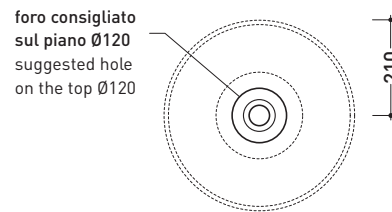
Technical accessories: **Chrome siphon (SIFL/CR) - Telescopic chrome siphon (SIFL066)**
Stop & Go drain (PLSG)
CERAMIC Stop & Go drain (PLCE)
Two piece set chrome tap filters (RF026)

Package dim. **45 x 16,5 x 44 cm** | Weight **7 kg** | Pz. Pallet n° **24**

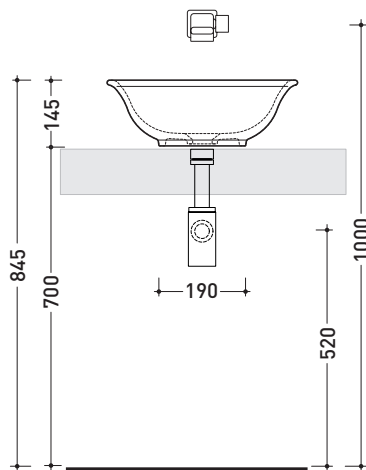
CE UNI EN 14688 - CL00 Dop-No14688



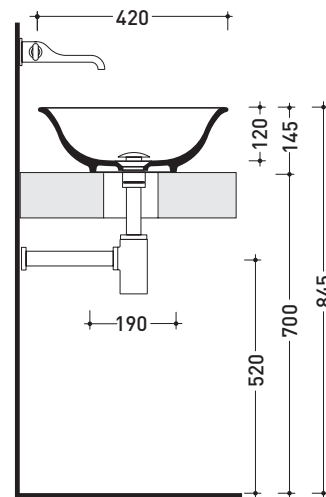
vista zenitale / zenital view



vista zenitale / zenital view



vista frontale / frontal view

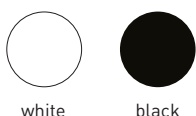


sezione longitudinale / section

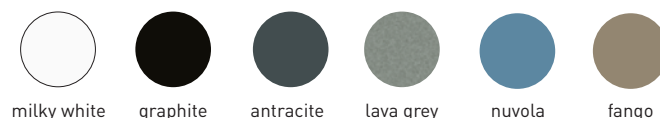
sizes in mm

Please consider a 2% tolerance on indicated measurements

CERAMIC: glossy finish



matt finish



iridescent finish



<http://www.ceramicaflaminia.it/en/lines/278-boll>

©ceramicaflaminiaspa - All rights reserved. Unauthorized copying, publication, reproduction as well as partial reproduction are prohibited

february 2017

